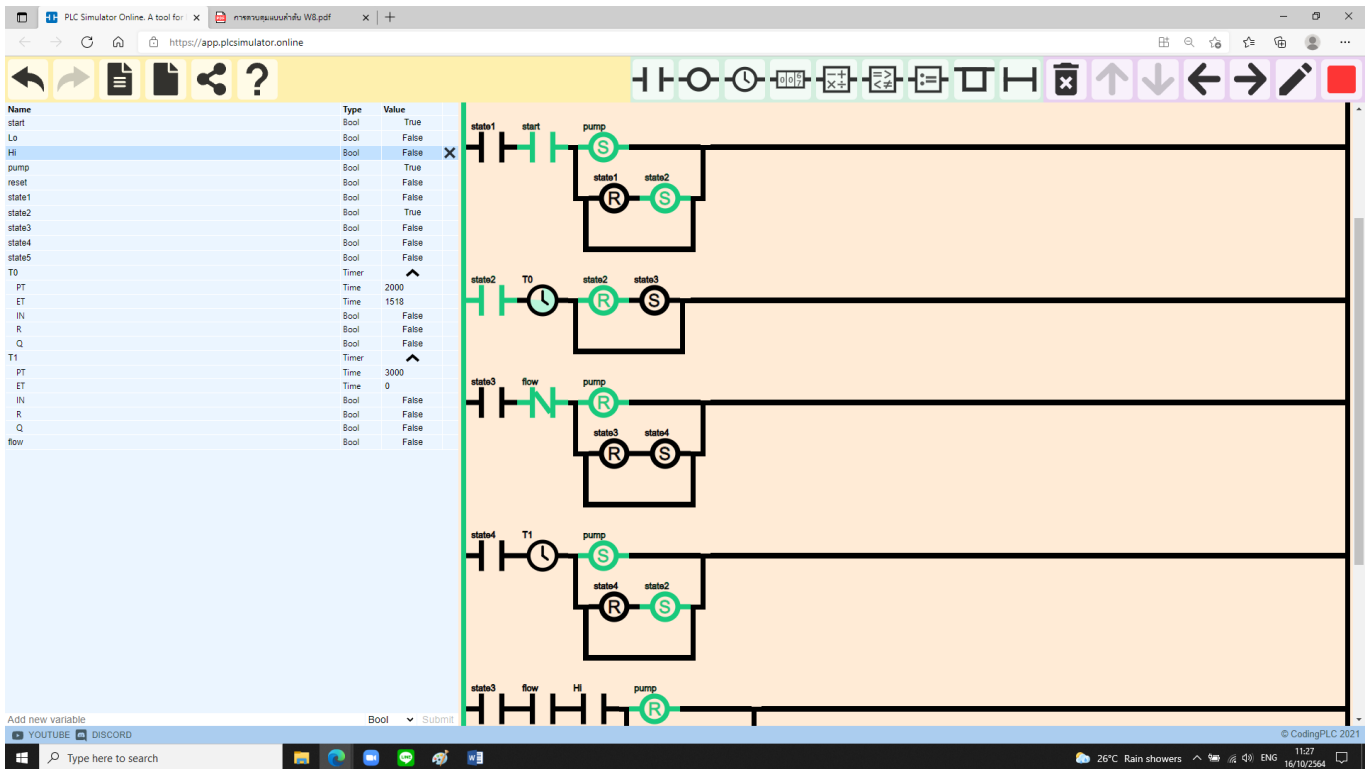
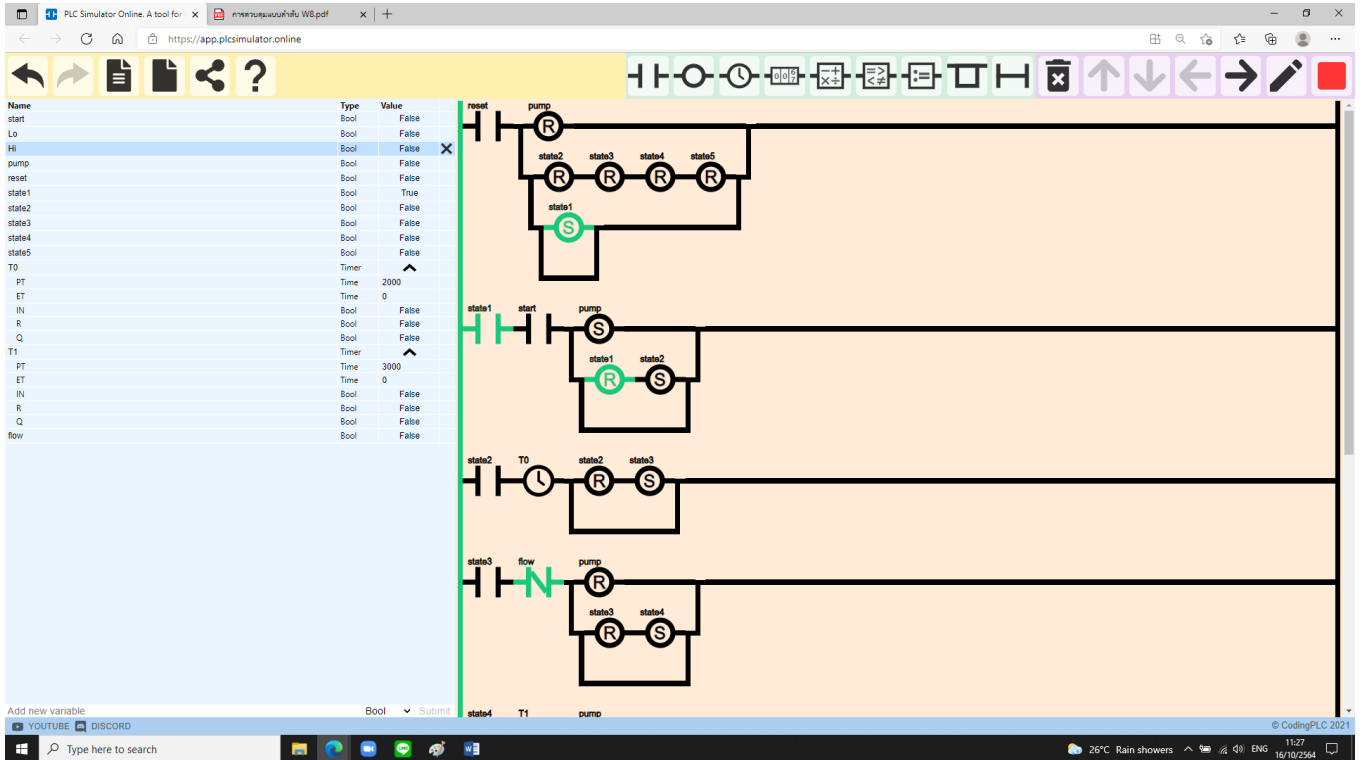
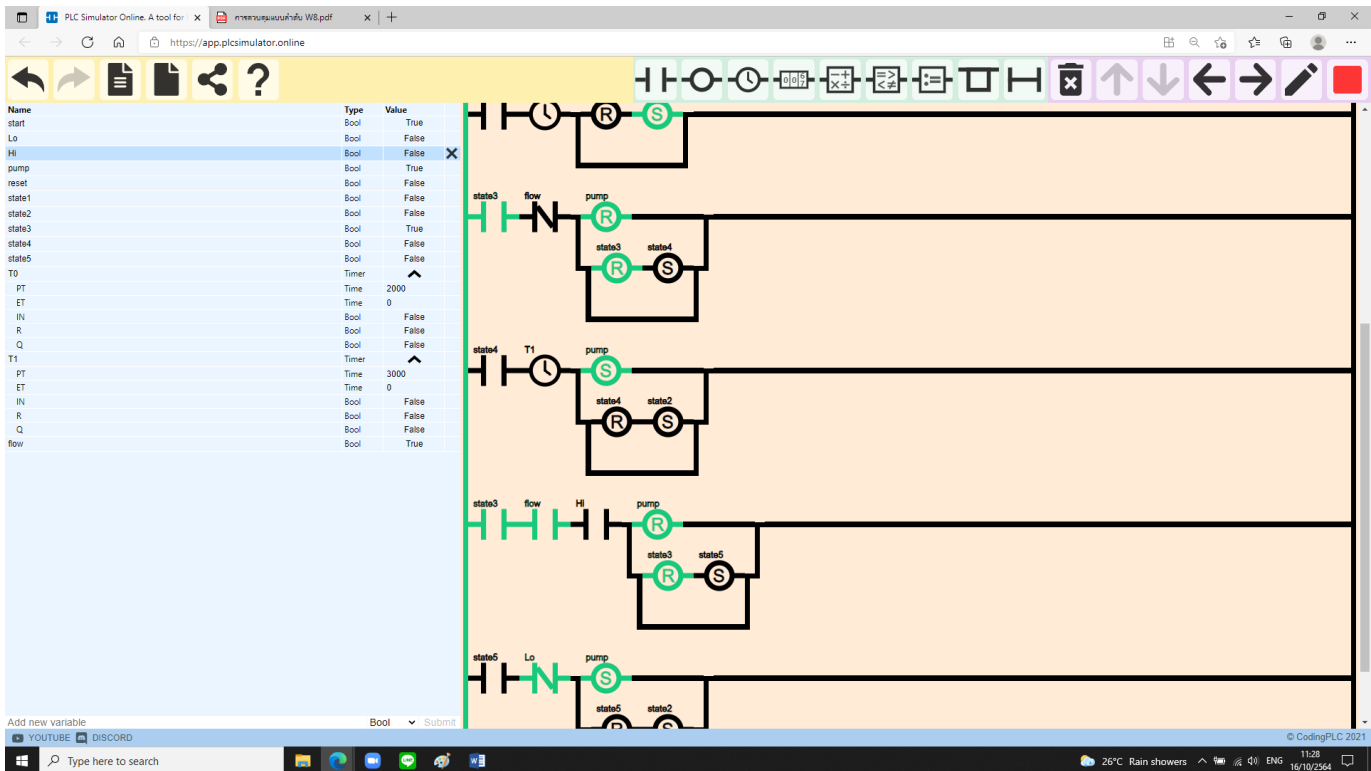
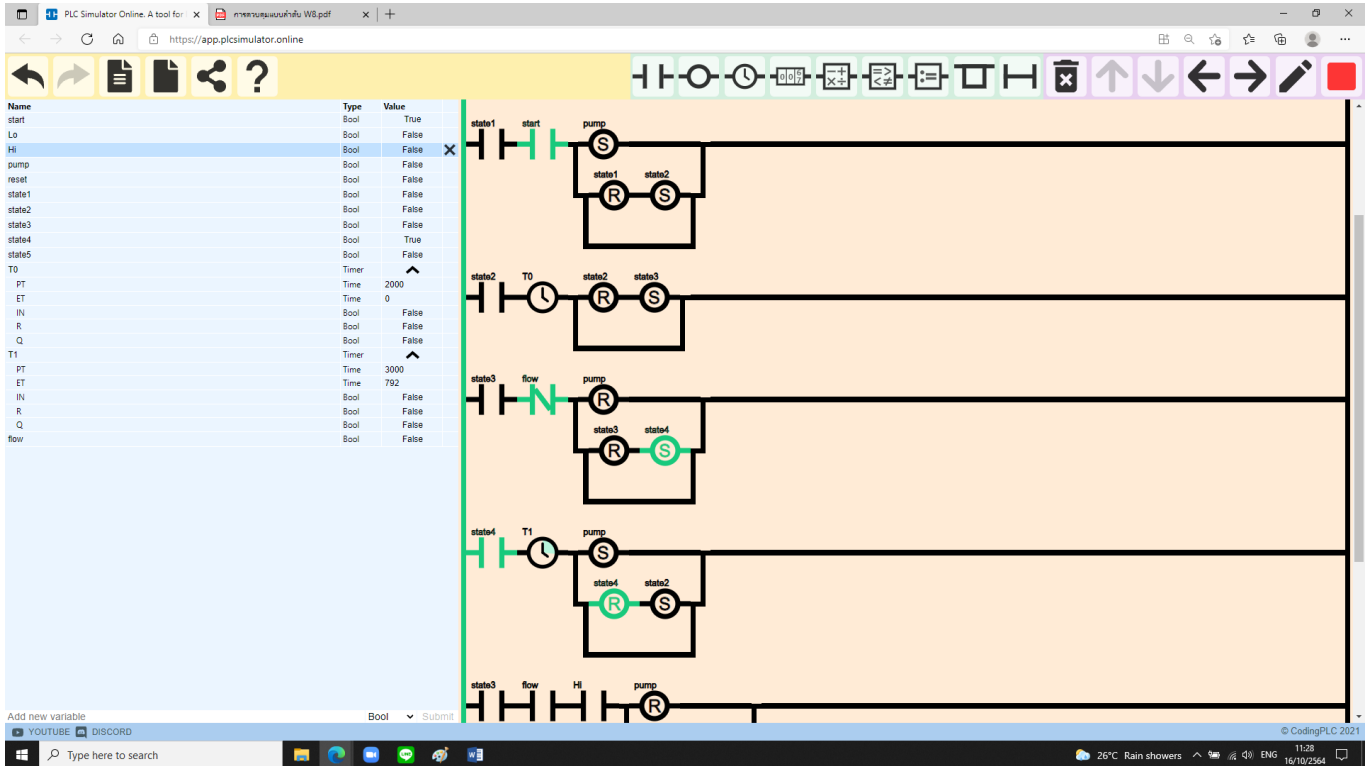


นายันทพงศ์ อรจุล 63322090113



นายันทพงศ์ อรจุล 63322090113



นายฉันทพงศ์ อรกุล 63322090113

The screenshot displays the PLC Simulator Online interface. On the left, a variable declaration table lists the following variables:

Name	Type	Value
start	Bool	True
Lo	Bool	False
HI	Bool	True
pump	Bool	True
reset	Bool	False
state1	Bool	False
state2	Bool	True
state3	Bool	False
state4	Bool	False
state5	Bool	False
T0	Timer	
PT	Time	2000
ET	Time	1452
IN	Bool	False
R	Bool	False
Q	Bool	False
T1	Timer	
PT	Time	3000
ET	Time	0
IN	Bool	False
R	Bool	False
Q	Bool	False
flow	Bool	False

The main workspace shows a ladder logic program with four rungs:

- Rung 1:** A normally open contact labeled 'flow' is connected to a coil labeled 'pump'. Below the coil are two set coils: 'state3' and 'state4'.
- Rung 2:** A normally open contact labeled 'state4' is connected to a coil labeled 'pump'. Below the coil are two set coils: 'state4' and 'state2'.
- Rung 3:** A normally open contact labeled 'state3' is connected to a coil labeled 'pump'. Below the coil are two set coils: 'state3' and 'state5'.
- Rung 4:** A normally open contact labeled 'state5' is connected to a coil labeled 'pump'. Below the coil are two set coils: 'state5' and 'state2'.

The bottom of the interface shows a Windows taskbar with the search bar, task icons, and system tray information including the date and time (11:29 16/10/2564).