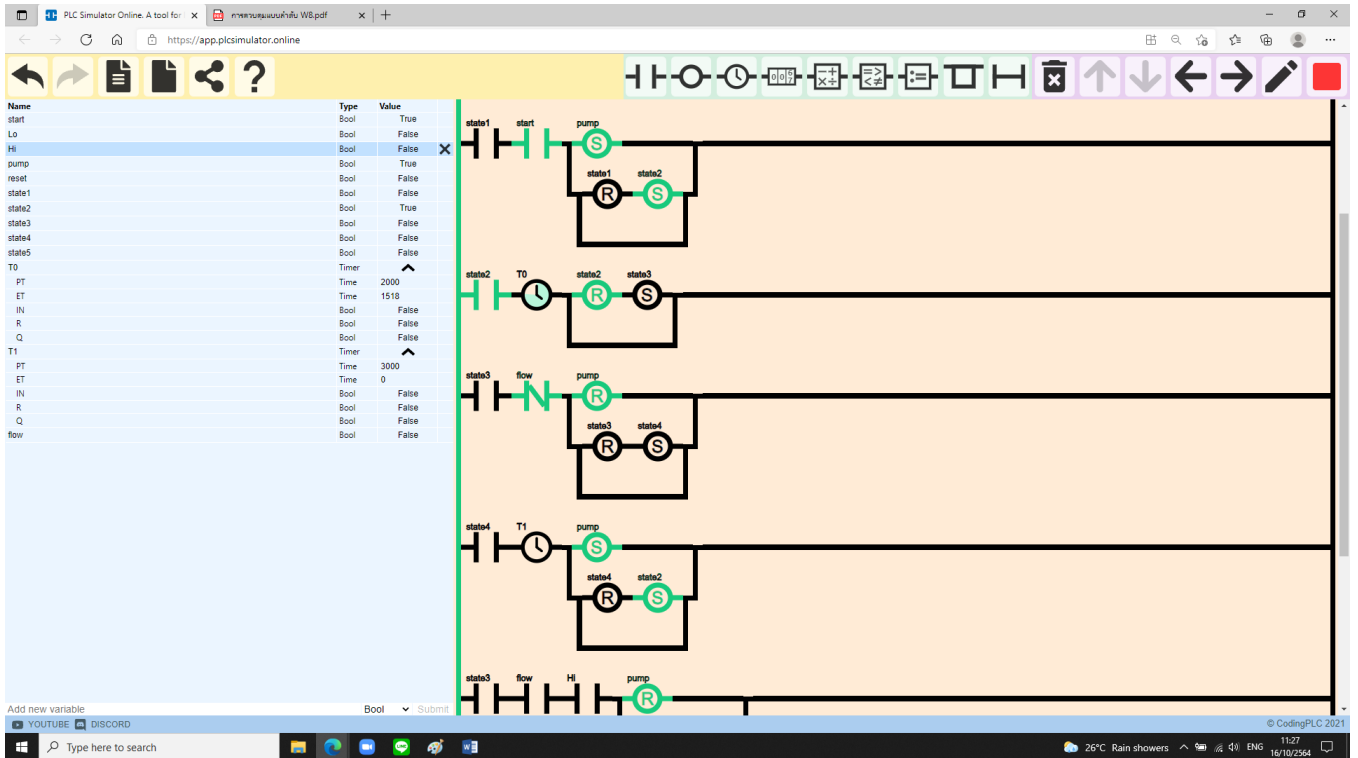
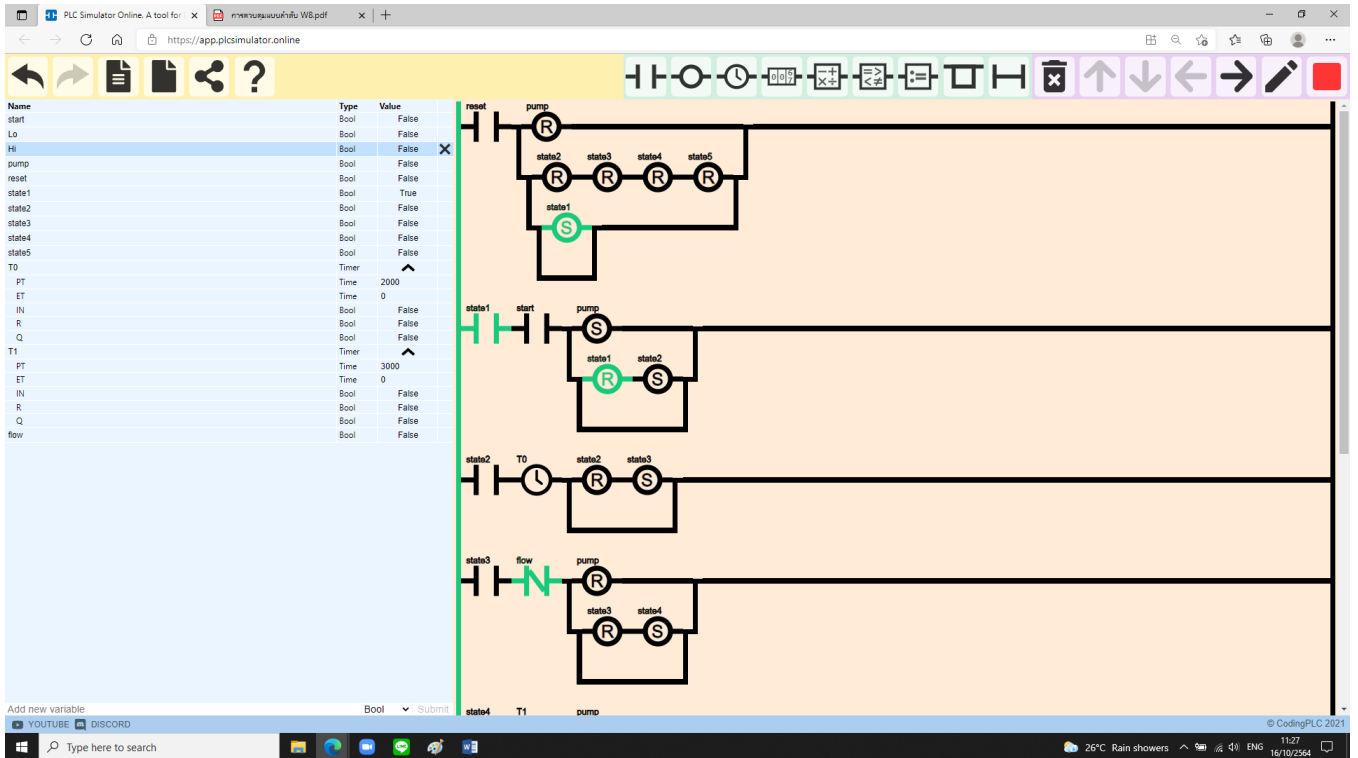


นางพัชรี กัณหาลา

รหัสนักศึกษา63322090133



นายหนทพงศ์ อภิลุ

Name	Type	Value
start	Bool	True
Lo	Bool	False
Hi	Bool	False
pump	Bool	False
reset	Bool	False
state1	Bool	False
state2	Bool	False
state3	Bool	False
state4	Bool	True
state5	Bool	False
T0	Timer	2000
PT	Time	2000
ET	Time	0
IN	Bool	False
R	Bool	False
Q	Bool	False
T1	Timer	3000
PT	Time	3000
ET	Time	0
IN	Bool	False
R	Bool	False
Q	Bool	False
flow	Bool	False

Name	Type	Value
start	Bool	True
Lo	Bool	False
Hi	Bool	False
pump	Bool	True
reset	Bool	False
state1	Bool	False
state2	Bool	False
state3	Bool	True
state4	Bool	False
state5	Bool	False
T0	Timer	2000
PT	Time	2000
ET	Time	0
IN	Bool	False
R	Bool	False
Q	Bool	False
T1	Timer	3000
PT	Time	3000
ET	Time	0
IN	Bool	False
R	Bool	False
Q	Bool	False
flow	Bool	True

นายพนทพงศ์ อรรถ

PLC Simulator Online. A tool for x

https://app.plcsimulator.online

Name	Type	Value
start	Bool	True
Lo	Bool	False
Hi	Bool	True
pump	Bool	True
reset	Bool	False
state1	Bool	False
state2	Bool	True
state3	Bool	False
state4	Bool	False
state5	Bool	False
T0	Timer	
PT	Time	2000
ET	Time	1452
IN	Bool	False
R	Bool	False
Q	Bool	False
T1	Timer	
PT	Time	3000
ET	Time	0
IN	Bool	False
R	Bool	False
Q	Bool	False
flow	Bool	False

Add new variable

Bool Submit

© CodingPLC 2021

11:29 16/10/2564