

week9 / PLC_1 [CPU 1212C AC/DC/Rly] / Program blocks

Main [OB1]

Main Properties

General

Name	Main	Number	1	Type	OB	Language	LAD
Numbering	Automatic						

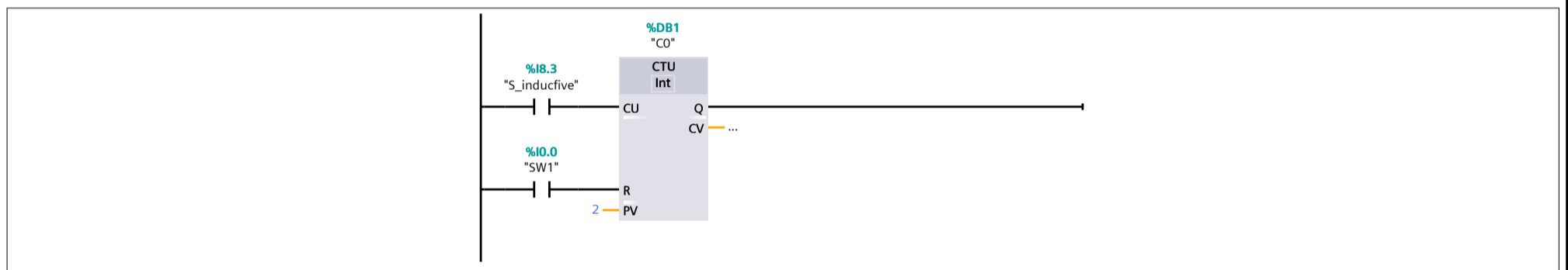
Information

Title	"Main Program Sweep (Cycle)"	Author		Comment		Family	
Version	0.1	User-defined ID					

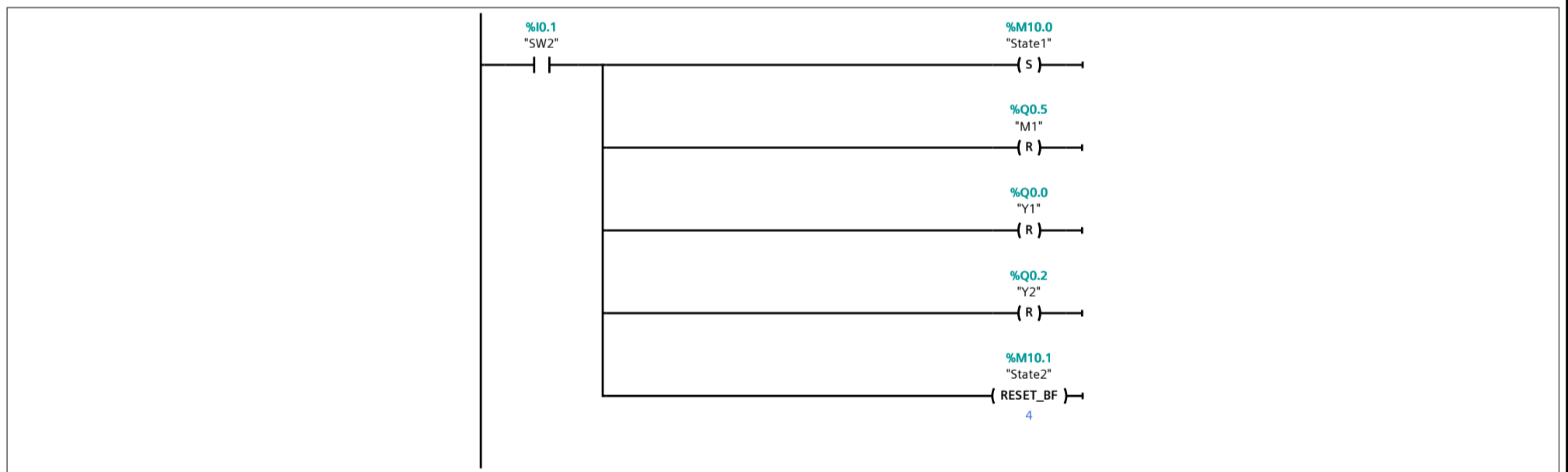
Main

Name	Data type	Default value	Supervision	Comment
▼ Input				
Initial_Call	Bool			Initial call of this OB
Remanence	Bool			=True, if remanent data are available
Temp				
Constant				

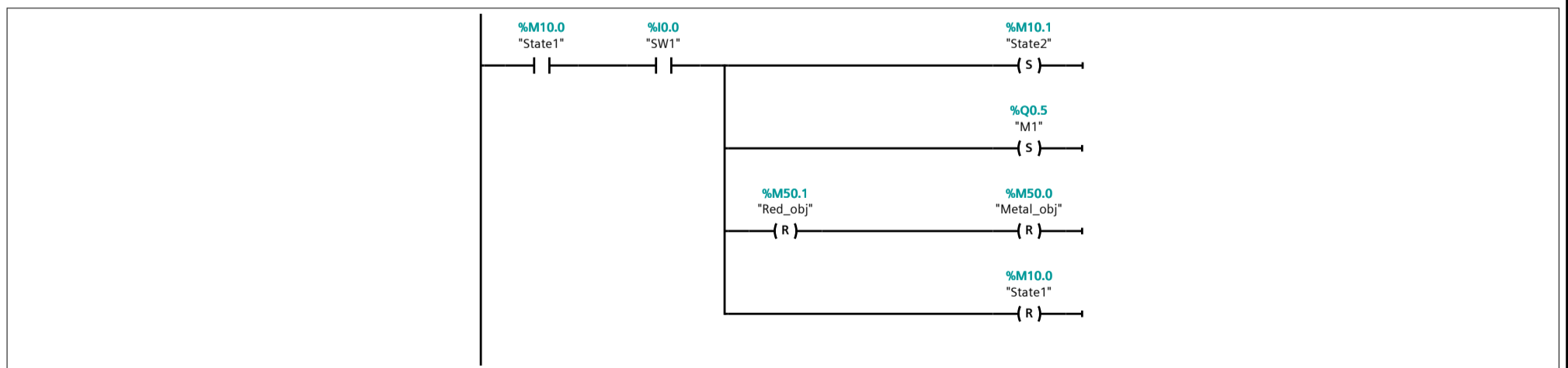
Network 1:



Network 2:

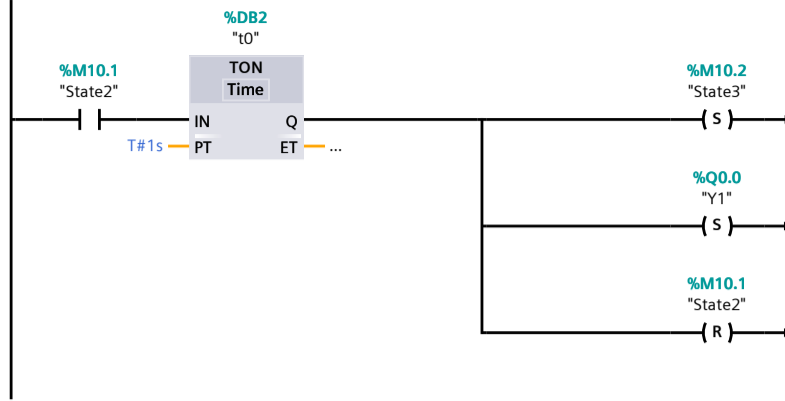


Network 3:

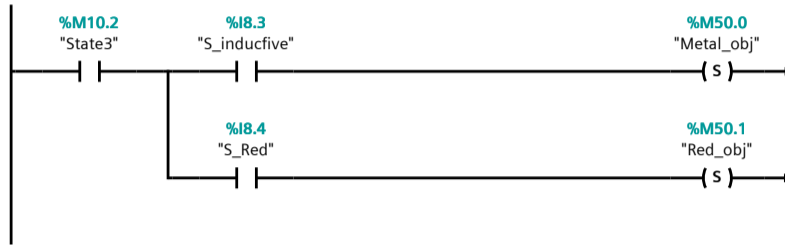


Network 4:

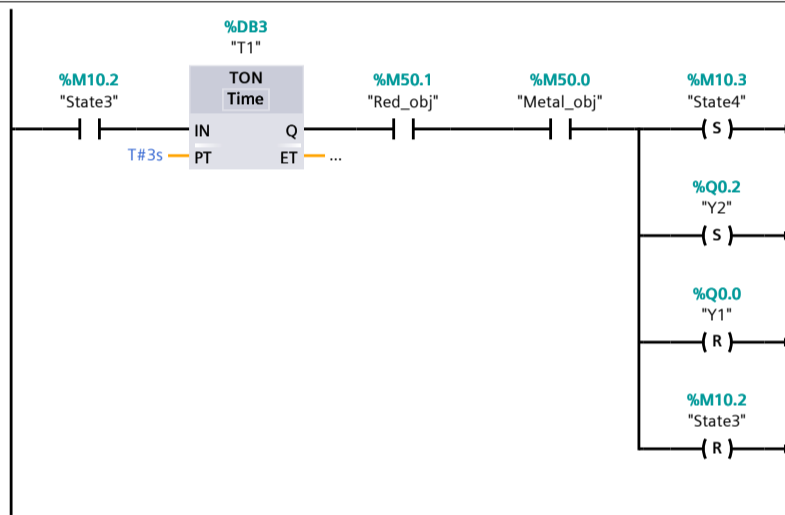




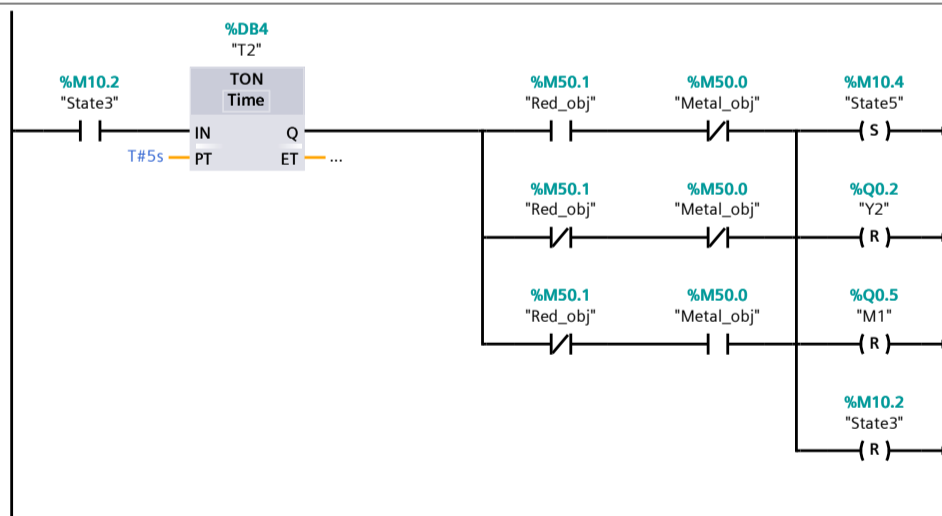
Network 5:



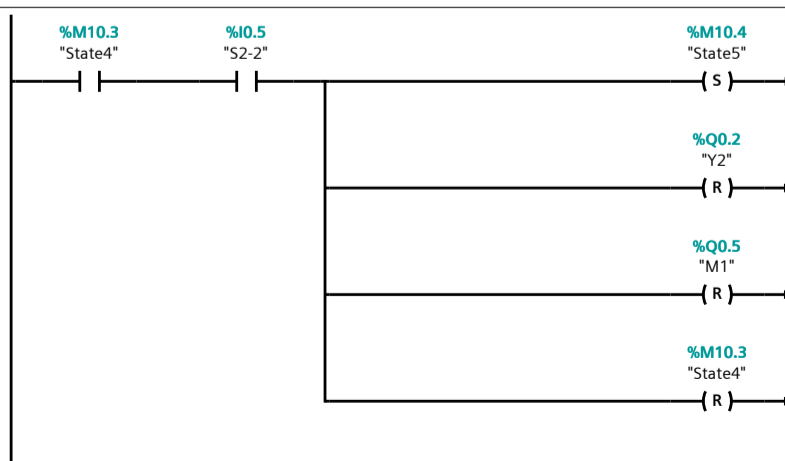
Network 6:



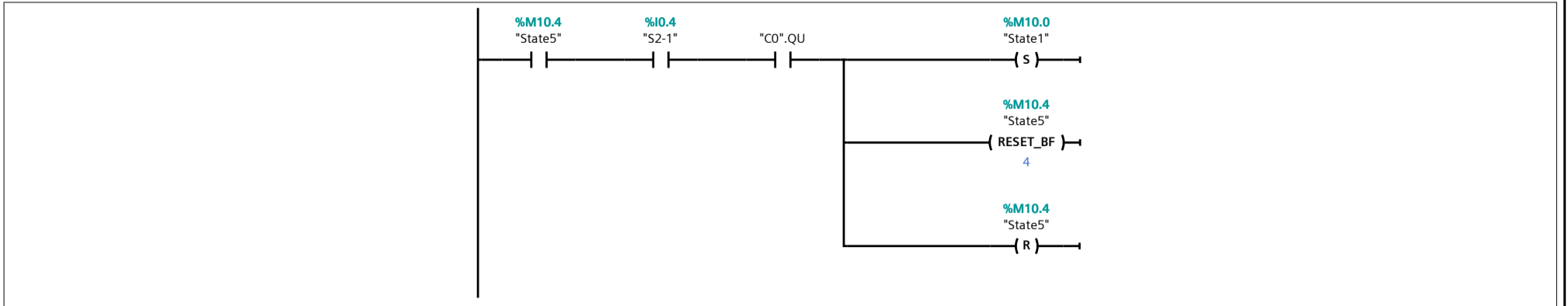
Network 7:



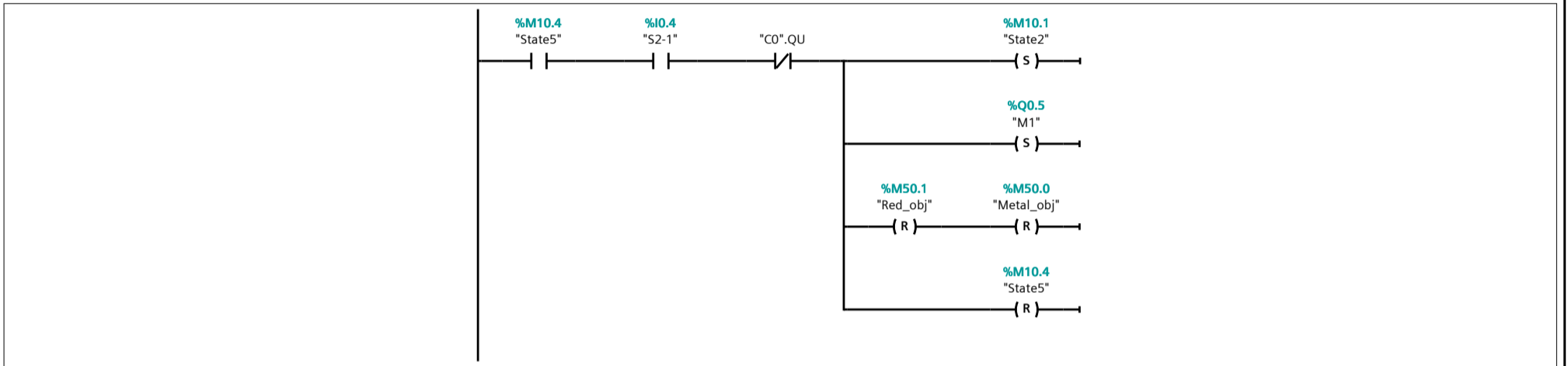
Network 8:



Network 9:



Network 10:



Network 11:

