

## Project9 / PLC\_1 [CPU 1212C AC/DC/Rly] / Program blocks

### Main [OB1]

#### Main Properties

##### General

Name	Main	Number	1	Type	OB	Language	LAD
------	------	--------	---	------	----	----------	-----

Numbering	Automatic
-----------	-----------

##### Information

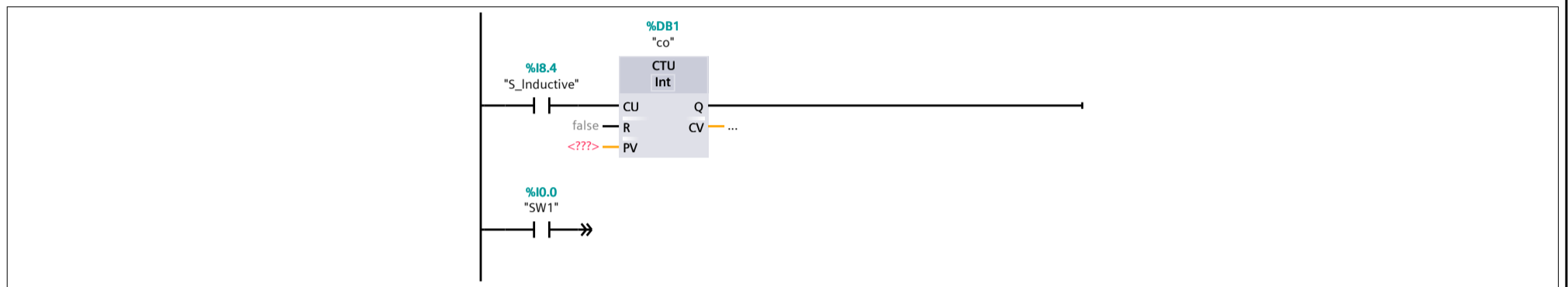
Title	"Main Program Sweep (Cycle)"	Author		Comment		Family	
-------	------------------------------	--------	--	---------	--	--------	--

Version	0.1	User-defined ID	
---------	-----	-----------------	--

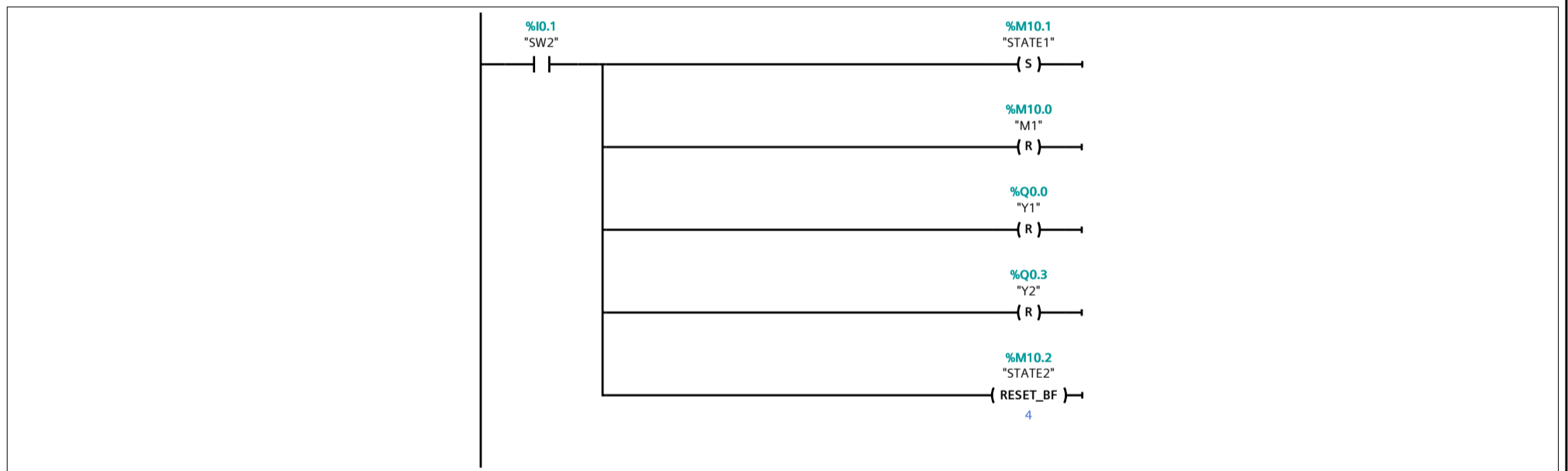
#### Main

Name	Data type	Default value	Supervision	Comment
Temp				
Constant				

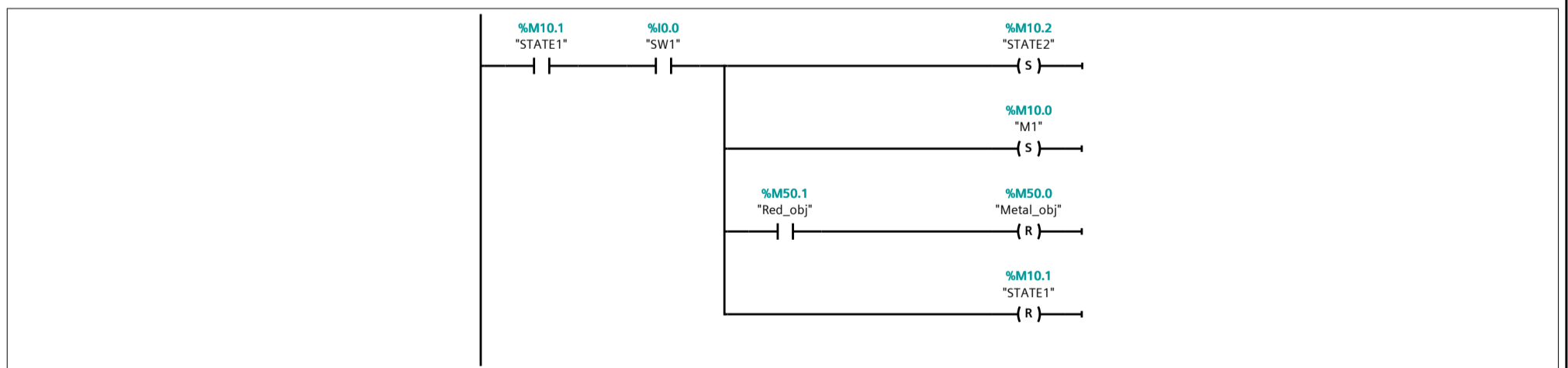
#### Network 1:



#### Network 2:

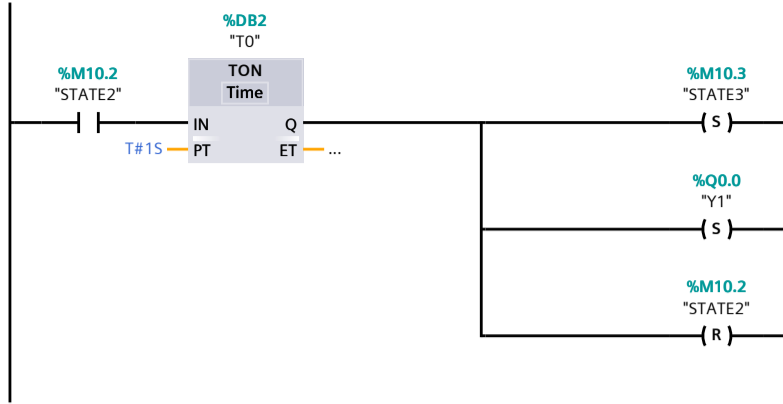


#### Network 3:

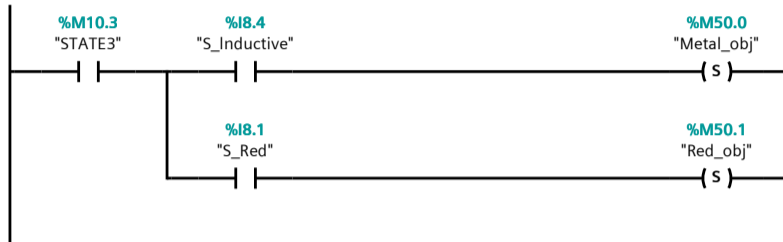


#### Network 4:

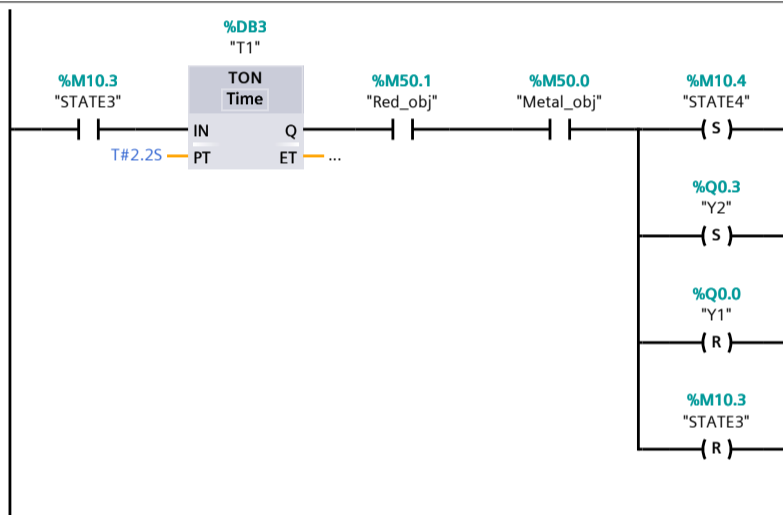




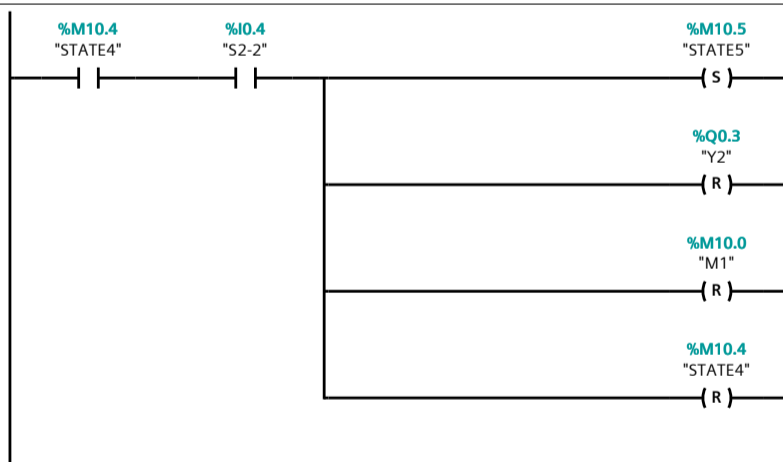
Network 5:



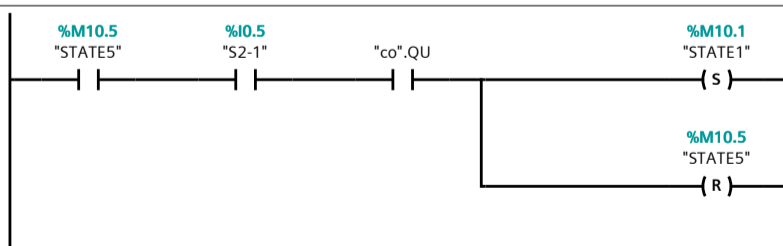
Network 6:



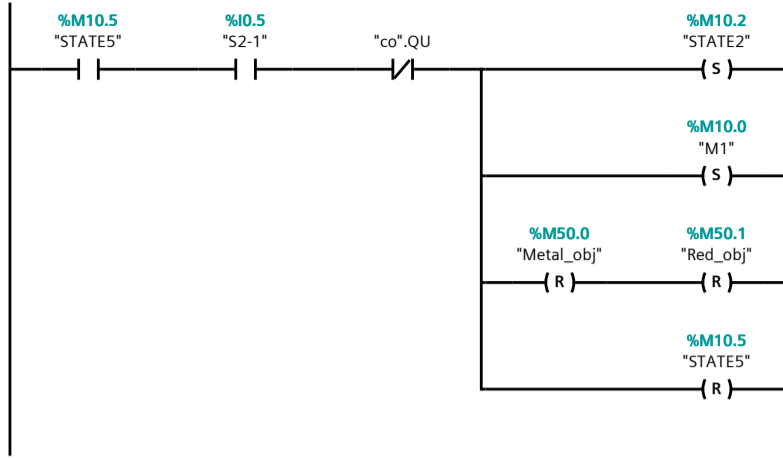
Network 7:



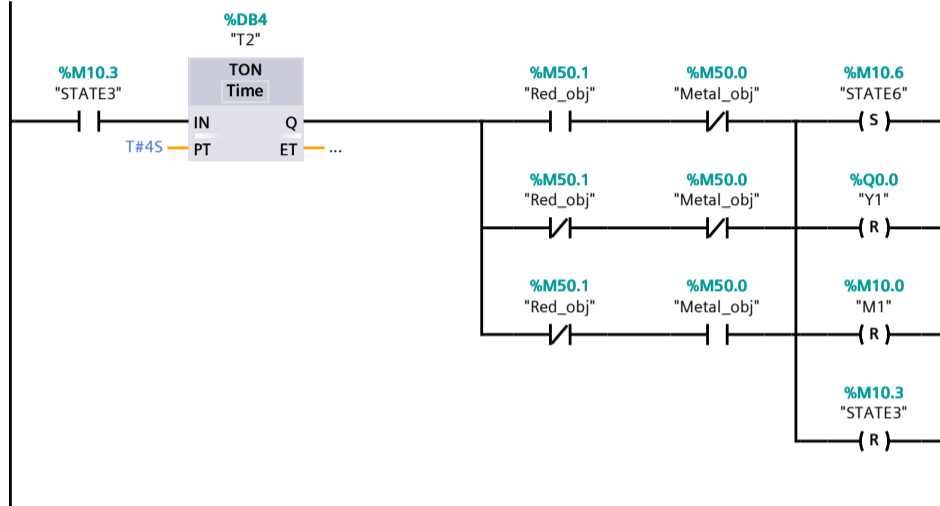
Network 8:



Network 9:



**Network 10:**



**Network 11:**

